

Silhouette/Series E & V

Electric projection screen with revolutionary case design

by DRAPER

Specifications—Silhouette

___ projection screens, size ___ h. x ___ w., wall or ceiling mounting. Electrically operated 110-120 V. AC, 60 Hz. 3-wire motor mounted inside screen roller, instantly reversible, lifetime lubricated, with thermal overload protector and electric brake. Preset, accessible limit switches. Roller of 2" dia. metal. Case finished (white/black/grey), free of exposed fasteners. Back and top of extruded aluminum in L-shaped section; front in a contoured shape. Endcaps die-cast, of rounded design, flush with case contour. Front section easily removable for access to motor and viewing surface. Viewing surface flame and mildew resistant. Bottom of viewing surface enclosed in dowel; dowel to disappear inside case when retracted. 3-position control switch (or switches—specify number) to stop or reverse screen at any point. Switch(es) furnished with cover plate. Large screens may require one horizontal seam.

Silhouette/Series E: Viewing surface of (fiberglass matt white/glass beaded/AT1200).

Silhouette/Series V: Viewing surface of (M1300/M2500/Cineflex), with black masking borders. Each side of surface to have tab-guide cable system for even lateral tension and flat surface. Bottom of surface supported and masked by black extruded aluminum dowel weighted to apply proper vertical tension.

Please Mark Appropriate Selections

Select Viewing Surface:

- | | |
|--|--|
| Series E | Series V—with Tab Tensioning |
| <input type="checkbox"/> Fiberglass Matt White | <input type="checkbox"/> M1300 |
| <input type="checkbox"/> Fiberglass Glass Beaded | <input type="checkbox"/> M2500 |
| <input type="checkbox"/> Optional AT1200 | <input type="checkbox"/> Optional Cineflex Rear Projection |

Select Case Color:

- Grey
- Black
- White

Select Mounting Method:

- Wall ("Z" Clips supplied)
- Ceiling (Ceiling bracket supplied)
- Extended (Optional 6" extension brackets must be specified now and at time of order)

Optional Accessories:

- Extra Drop* (Total screen height cannot exceed 8')
Select white or black _____
Length of extra drop required _____
- ___ Number of control stations required. 1, 2, 3, or 4 stations as specified. Control stations operate independently.
Number of stations required _____
- 115 Volt
- 24 Volt
 - Factory install inside case at motor end**
 - Do not factory install low voltage control module
 - Radio Frequency Remote Control (only with 24V)
 - Infrared Remote Control (only with 24V)
- Key Operated Switch
 - Power Supply Switch (On-off)
 - 3-Position Control
 - 3-Position Control with Hinged Locking Coverplate
- Video Interface Control
 - VIC115
 - VIC12
 - Factory install inside case at motor end**
 - Do not factory install Video Interface Control module

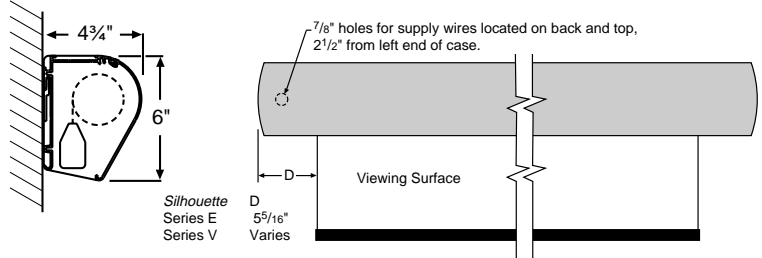
*Extra drop on Silhouette/Series V will increase overall case length. Contact DRAPER if this dimension is critical. **Factory installed LVCIII, VIC115, or VIC12 inside case will increase case length. Specify at when ordering and contact DRAPER if this dimension is critical.

Dimensions & Data

Silhouette/Series E				Silhouette/Series V			
Audio Visual Format				Video Format (3:4)			
Size	*Case	Net Wt.	Qty.	Size	*Case	Dowel	Net Wt.
H x W	Length	(lbs.)		H x W	Length	Length	(lbs.)
50" x 50"	5'1½"	27		50" x 50"	6'1½"	5¾"	33
60" x 60"	5'11½"	29		60" x 60"	6'11½"	5'10¼"	35
70" x 70"	6'9½"	34		70" x 70"	7'11"	6'10¼"	40
84" x 84"	7'11½"	40		84" x 84"	9'2¾"	8'3"	46
72" x 96"	9'	48		72" x 96"	10'1"	9'1¼"	57
96" x 96"	9'	53		96" x 96"	10'2½"	9'2¾"	59
Nominal	Viewing	*Case	Net Wt.	Viewing	*Case	Dowel	Net Wt.
Diagonal	Area	Length	(lbs.)	Area	Length	Length	(lbs.)
6'	42" x 56½"	5'11½"	26	42" x 56½"	6'6¾"	5'6"	39
7'	49½" x 66½"	6'9½"	31	48½" x 65½"	7'6"	6'5¾"	43
8'/100"	59" x 79½"	7'11½"	37	58" x 79"	8'6½"	7'6¼"	47
10'	71" x 92"	9'	45	72" x 96"	10'1"	9'1¼"	54
HDTV Format (9:16)				Widescreen Format (1:1.85)			
92"	445" x 80"	7'11½"	37	45" x 80"	8'6¼"	7'6"	50
106"	52" x 92"	9'	45	52" x 92"	9'7½"	8'7¼"	54
8'/100"	47" x 87"	8'6"	37	47" x 87"	9'2½"	8'2¾"	47
9'	49¾" x 92"	9'	45	49¾" x 92"	9'7½"	8'7¼"	54

*Extra drop and optional control accessories: Extra drop, and factory installed LVCIII, VIC115, or VIC12 inside case will increase case length. Specify at time of order and request dimension.

Case Dimensions



Series V slat bar is depicted above inside case. Series E has a typical round bottom dowel. For all Silhouettes, the dowel is concealed inside the case.

DRAPER

411 S. Pearl St., Spiceland, IN 47385 USA ■ 765-987-7999 ■ fax 765-987-7142
e-mail draper@draperinc.com ■ www.draperinc.com

Copyright © 1999

Form Si/E&VSB99

Printed in U.S.A.

PROJECT: _____

ARCHITECT: _____

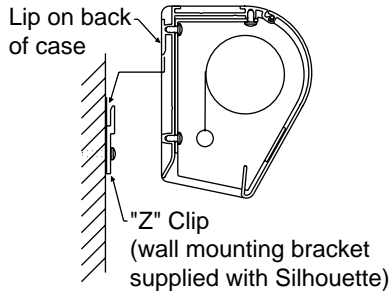
CONTRACTOR: _____

SUPPLIER: _____

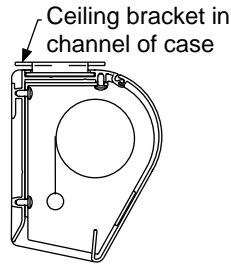
DATE: _____ REVISED: _____

Methods of Installation

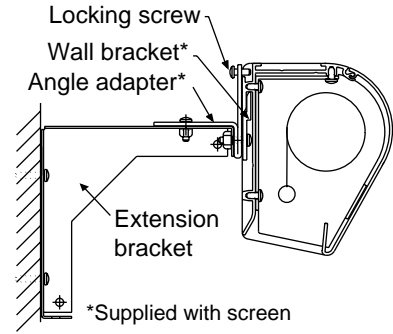
Wall Mounting



Ceiling Mounting

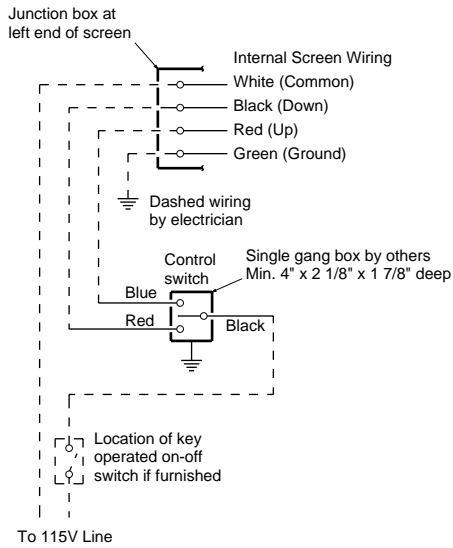


Extended Mounting

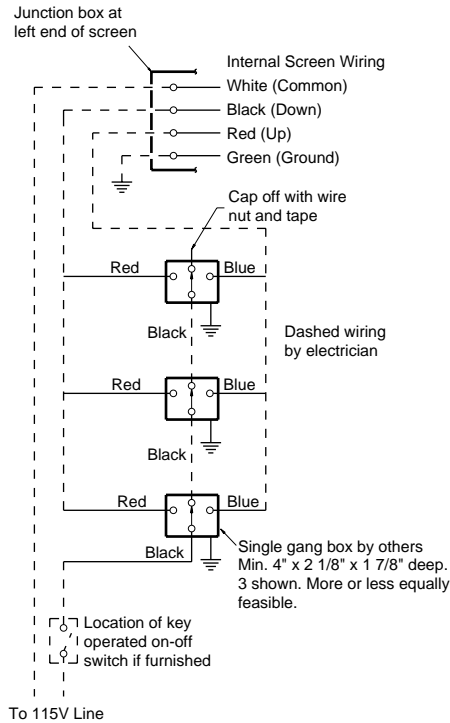


Wiring Diagrams

Single Station Control



Multiple Station Control



Low Voltage (& Wireless) Control Wiring Diagram

